

Quick Start Guide

Electronic pdf files of Nordson EFD manuals are also available at www.nordsonefd.com



Easy 11-Step Setup

Follow these steps to get your Ultimus IV ready for operation.

Unpack the Unit/Warranty

1

- Unpack the unit.
- Now is a good time to activate your Two Year Warranty. Register the warranty online at www.nordsonefd.com/warranty/dispensers/two/

Install Barrel Holder & Cable Guide

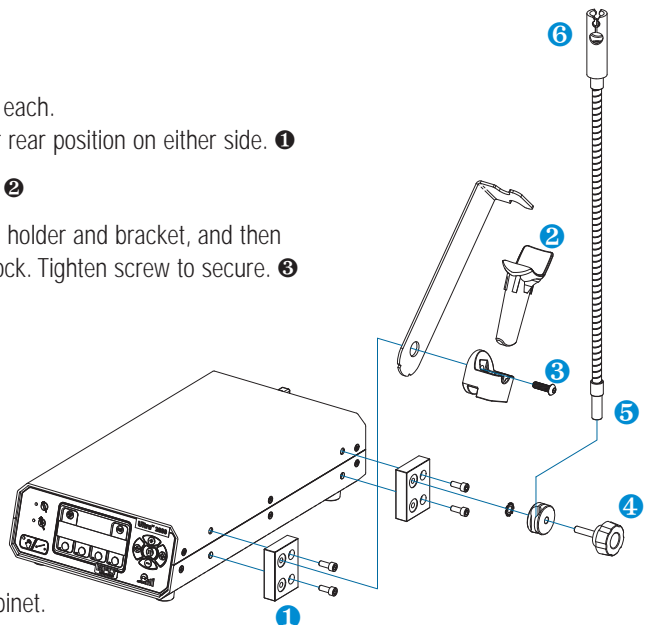
2

Part A: Install Barrel Holder

- Install mounting blocks using two screws each. Blocks may be mounted in the forward or rear position on either side. ①
- Remove barrel holder sleeve from holder. ②
- Insert the 6 mm screw through the barrel holder and bracket, and then into the top hole of the front mounting block. Tighten screw to secure. ③
- Insert barrel holder sleeve.

Part B: Install Cable Guide

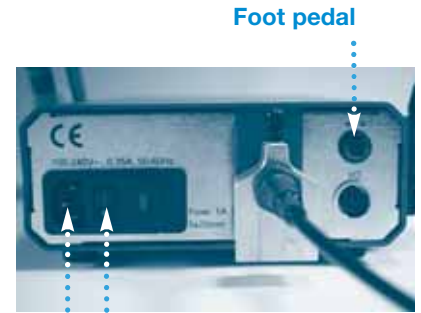
- Insert thumbscrew through both the cable guide mount and star washer, and then into other mounting block. ④
- Position flex arm into channel of cable guide mount. ⑤
- Tighten thumbscrew to secure arm to cabinet.
- Snap flexible cable assembly into swivel bracket, located at top of flex arm. ⑥



Connect Power & Foot Pedal

3

- Connect the power cord provided to the back of the Ultimius IV and plug into your power source.
- Connect the foot pedal provided to the back of the Ultimius IV.
- Turn unit on; On switch is located at the back of the unit. An “EFD 2800” screen will briefly appear before the Main Menu comes up.



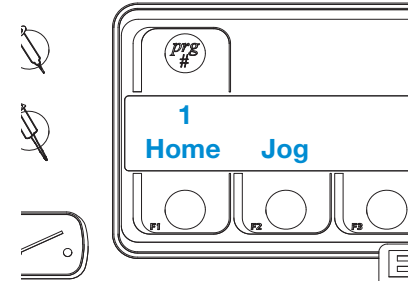
Power cord On/Off

Main Menu

4

- The main menu screen for Home will automatically appear.

TIP If you're lost at any point, just hit the Foot Pedal once to return to the Home screen.



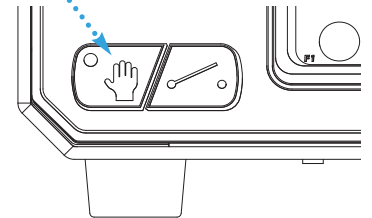
Programmed Dispense Mode

5

- For initial setup, make sure you're in Programmed Dispense mode. When you're in Programmed Dispense, the LED light left of the Manual/Program select button is not lit.

TIP To select Programmed Dispense mode, press the "hand" icon so the red light is off.

Hand icon Red Light OFF = Program (Red Light On = Manual)

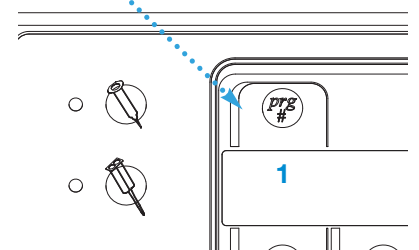


Program Number

6

- Select Program by pressing the Program button. The program number will flash.
- Use the (+) or (-) buttons to select your program number (i.e., 1, 2, 3, etc.).

Program button



Deposit Volume

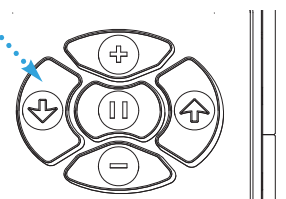
7

- Select Volume by pressing the Forward button.
- Use the (+) or (-) buttons to set your deposit volume.

Note: The maximum number of Forward steps is 65,534.

TIP Deposit volume, measured in cc's, is linked automatically to forward steps of the stepper motor. When you increase your cc setting, it automatically increases the number of forward steps.

Forward button



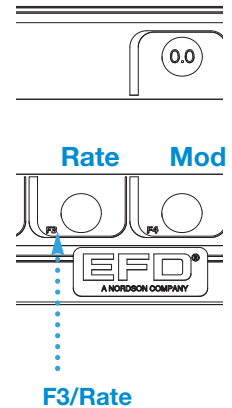
Dispense Rate

8

Set the Dispense Rate by choosing one of the preset default speeds.

- Press the Single Barrel Select button.
- Press F3 to select Rate.
- Select Medium
- Press the Cycle Start button once to return to the Home screen.

Note: The slower your Dispense Rate, the tighter your tolerance on repeatability.



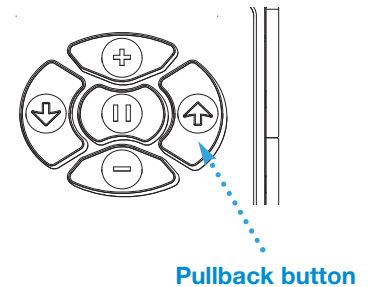
Pullback

9

- Select Pullback by pressing the Back button.
- Use the (+) or (-) buttons to set the number of Pullback steps.
Note: The maximum number of Pullback steps is 20,000.



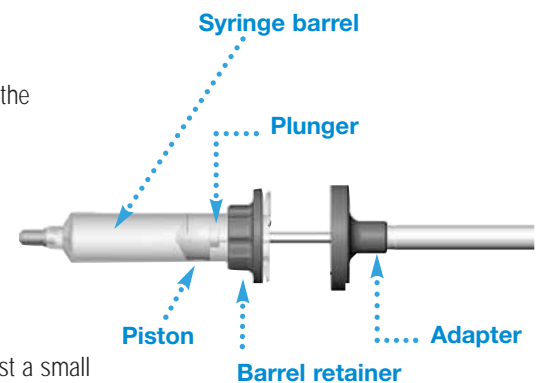
We recommend a minimum Pullback of 200 steps for low viscosity fluids. For thicker fluids set your Pullback to 300 steps or higher. During initial setup, adjust your Pullback in sets of 50 steps at a time.



Attach Barrel/Purge Tip

10

- Unscrew and remove the barrel retainer from the adapter.
- Put a tip cap on the syringe barrel and hold barrel next to the flexible cable assembly.
- From Manual mode (hand icon light on), advance the plunger by pressing the Forward button, just until the plunger reaches past the piston.
- By hand, insert the plunger into the barrel, pressing it into the piston.
- Press the Pullback button to retract barrel, until there is just a small gap between barrel and adapter.
- Slide barrel retainer over the barrel and thread one turn onto the adapter.
- Replace tip cap with dispense tip. Tighten barrel retainer.
- Still in Manual mode, press the foot pedal to purge dispense tip. Press until fluid almost fills the tip and dispenses. Be sure not to overfill the tip since this results in excess back pressure, which can cause oozing.



Flexible cable assembly with syringe barrel



See the handout provided with your Ultimus IV dispenser, "Syringe Barrel Attachment Guide," for easy, step-by-step instructions.

Dispense

11

- Press the hand icon so that light is off. You are now in Programmed Dispense mode.
- Press the foot pedal once to return to the Home screen.
- Press the foot pedal again to dispense your first deposit.

TIP During initial setup, it is normal to dispense a few shots before your deposit is stabilized.



IMPORTANT SAFETY INFORMATION

All Nordson EFD disposable components, including syringe barrels, cartridges, pistons, tip caps, and dispense tips, are precision engineered for one-time use. Attempting to clean and re-use components will compromise dispensing accuracy and may increase the risk of personal injury.

Always wear appropriate protective equipment and clothing suitable for your dispensing application.

Do not exceed maximum operating pressure of 100 psi (7.0kg/cm²).

Do not heat syringe barrels or cartridges to a temperature greater than 100°F (38°C).

Dispose of components according to local regulations after one-time use.

Do not clean components with strong solvents (e.g. MEK, Acetone, THF).

Cartridge retainer systems and barrel loaders should be cleaned with mild detergents only.

To prevent fluid waste, use Nordson EFD SmoothFlow™ pistons.

For Nordson EFD LLC sales and service in over 30 countries, contact Nordson EFD or go to www.nordsonefd.com


East Providence, RI USA
USA & Canada: 800.556.3484;
+1.401.431.7000
info@nordsonefd.com

Dunstable, Bedfordshire, UK
0800 585733; +44 (0) 1582 666334
Ireland 00800 8272 9444
europa@nordsonefd.com

China: +86 (21) 3866 9006
china@nordsonefd.com

Singapore: +65 6796 9522
sin-mal@nordsonefd.com

The Wave Design is a trademark of Nordson Corporation
©2011 Nordson Corporation 2800GUIDE-01 (7017203) v050311

 This equipment is regulated by the European Union under WEEE Directive (2002/96/EC). See www.nordsonefd.com for information about how to properly dispose of this equipment.

TM